

MERCURY TP-702

always
exceeds
your
expectations



Mercury TP-702 is a world-class high-speed automatic strapping machine. The innovative features and superior performance give Mercury TP-702 a voice to speak for itself. It offers you the maximum value with the minimum cost. — *So little to pay and yet so much to get.*

In this category, we have three models to meet your various needs:

- High-speed automatic P.P. strapping machine Mercury TP-702
- High-speed automatic P.P. strapping machine with dual press Mercury TP-702P
- High-speed automatic P.P. strapping machine for small or round package Mercury TP-702RS

AUTOMATIC STRAPPING MACHINE

Mercury

Innovative World-class Model

TP-702

always exceeds
your expectations

Mercury TP-702 is an innovative world-class high-speed automatic strapping machine. It is suitable for 5, 6, 9, or 12mm P.P. strap. It equips with all industry's standard features and creative user friendly designs. Mercury TP-702 offers the most optimal performance, highest speed, easiest maintenance and the most cost effective solution in its class today.



Main Features



Robust & Compact Mechanical Strapping Head

Mercury uses the latest DC brushless motor technology to provide the highest level of accuracy and reliability on the market. All motors are German-made.

The strapping head has no belts, clutches or pulleys. It is designed with up-to-date technology with few moving parts. With 30% fewer parts, Mercury requires fewer adjustments and less maintenance, and has fewer wear components. The simple design of Mercury minimizes the maintenance cost.



Free Access to Strap Guides (patents registered)

Hinged top plate makes easy access to the strapping head for quick maintenance. Unblock the guides enabling free and quick access to the strap guides without use of any tools. The most maintenance-friendly design.



Waist-High Auto Strap Feeding

Friendly design to feed the strap automatically from the upper side of the coil without the need to access to the bottom of the machine.

More Features

Dispenser Release Switch

Friendly design makes it easier to pull the strap from the strap dispenser for waist-high auto strap feeding.

Sensor Controlled Heater

The fast heating mechanism is sensor controlled assuring consistent and high sealing efficiency.

Low Voltage

All DC motors and heater are "stepped down" to 24V to increase the safety of the machine.

Strap End Ejector

Eject end of strap from the inlet of strap feeding. Easier to clean the end of strap and get the machine ready for next coil of strap.



Waist-High Quick Coil Change (patents registered)

Innovative waist-high coil change without access to the bottom of the machine. Quick release lock eliminates downtime to change the coil. Ergonomic and quick change design makes coil change simpler than ever.



1

2



Ergonomic Cycle Initiation

• Turnable Operating Control Panel 1

The operating control panel is located on upper side of the machine for easy access. User friendly. Power cord located at the top of arch makes the machine very safe to operate and avoid wire damage while moving the machine.

• Front Foot-Bar Switch 2

Ergonomic design and user friendly.



Auto Strap Ejector

Loop-eject clears unwanted strap automatically if the machine is accidentally activated without a package. Eliminates downtime.



Adjustable Table Height

The table height is adjustable to any height between 820 mm and 920 mm.

Options

- Photo-eye switch
- Rear foot bar switch
- Lower adjustable table height (770-820 mm) for TP-702P
- Stainless steel frame SUS 304 (TP-702S)



Mercury Family

TP-702P

With Dual Pneumatic Press

Mercury TP-702P (with dual press) is ideal to strap compressible material such as corrugated papers, paper sheets, plastic sheets, bags, etc.



Dual Pneumatic Press

Offer better product stability and containment.

TP-702RS

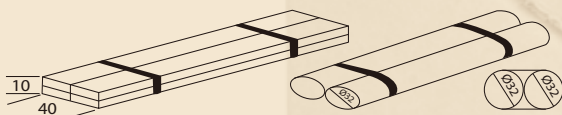
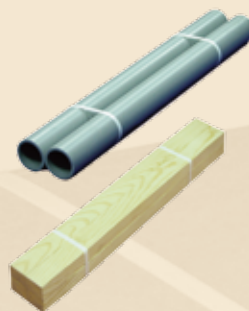
For Small or Round Package

Mercury TP-702RS is suitable for small or round packages of plastic pipes, steel rod, hardwood, etc. It can strap packages as small as 40 mm(W) x 10 mm(H) or round package as small as \varnothing 32 mm x 2 pieces. The TP-702RS strapping machine provides reliable high speed performance for small or round package applications.

Arch Size: 550 mm(W) x 400 mm(H)

Package Sizes

Package size	Min.	Max.
Strap width		
5/6 mm	<ul style="list-style-type: none"> □ 40 mm(W) x 10 mm(H) ○ Pipe \varnothing 32 mm x 2pcs 	500 mm(W) x 350 mm(H)
9 mm	<ul style="list-style-type: none"> □ 50 mm(W) x 10 mm(H) ○ Pipe \varnothing 34 mm x 2pcs 	



TP-702 / TP-702RS / TP-702P Technical Data

Specifications Model Number	P.P. Strap Requirement	Speed Per Minute	Strap Tension	Machine Net Weight	Electrical Requirements
TP-702-59	5mm, 6mm, or 9 mm	65 straps	1 to 32 kg	157 kg	110V/220V/230V 50/60Hz 1PH
TP-702-12	12mm	60 straps	1 to 45 kg *	166 kg	
TP-702RS	5mm, 6mm, or 9 mm	65 straps	1 to 32 kg	157 kg	
TP-702P-59	5mm, 6mm, or 9 mm	47 straps	1 to 32 kg	227 kg	
TP-702P-12	12mm	44 straps	1 to 45 kg *	229 kg	

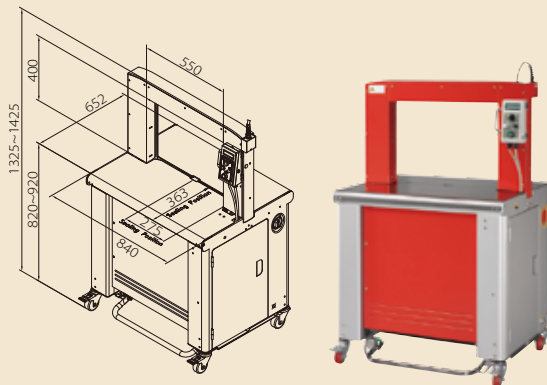
* Higher tension is on request.

Arch Sizes (Available with mark ✓)

TP-702-59 (for 5mm, 6mm, 9mm strap)

H \ W	550	650	850	1050	1250	1650
400	Ⓢ		✓			
500		✓	✓		✓	✓
600			✓			
800			✓	✓	✓	
1000				✓	✓	

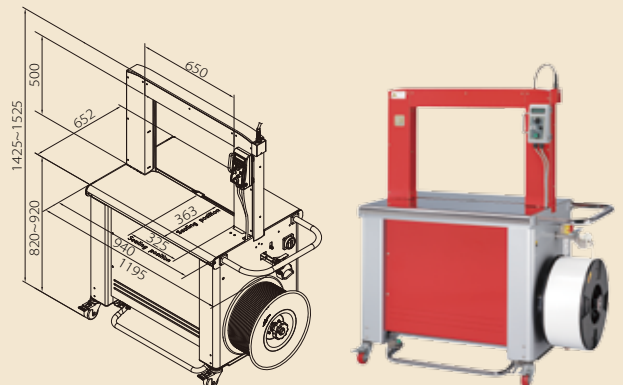
Ⓢ Standard size : 550 mm (W) x 400 mm (H)



TP-702-12 (for 12mm strap)

H \ W	650	850	1050	1250	1650
400		✓			
500	Ⓢ				✓
600		✓	✓	✓	
800		✓	✓	✓	
1000		✓	✓	✓	

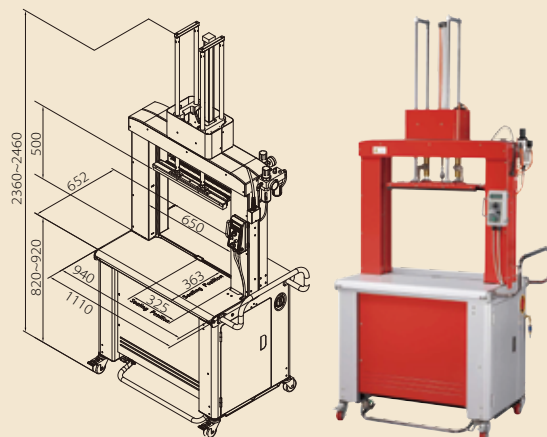
Ⓢ Standard size : 650 mm (W) x 500 mm (H)



TP-702P-59 (for 5mm, 6mm, 9mm strap)

H \ W	650	850	1050	1250	1650
500	Ⓢ			✓	✓
600		✓			
800			✓	✓	

Ⓢ Standard size : 650 mm (W) x 500 mm (H)



TP-702P-12 (for 12mm strap)

H \ W	650	850	1050	1250	1650
500	Ⓢ				✓
600		✓			
800			✓	✓	

Ⓢ Standard size : 650 mm (W) x 500 mm (H)

